

STELLA

INSET OR ISLAND BATH WITH TILE BEAD INCLUDED - Premium Enamel Steel, High Gloss White

The Stella's scratch resistant, enamel steel fabrication is a stylish & durable alternative to acrylic. This versatile, bath has been designed for either an island or inset installation. *End waste position.*

- Molded arm rests
- Lumbar support
- Suitable for dual bathing
- Slip resistant pattern

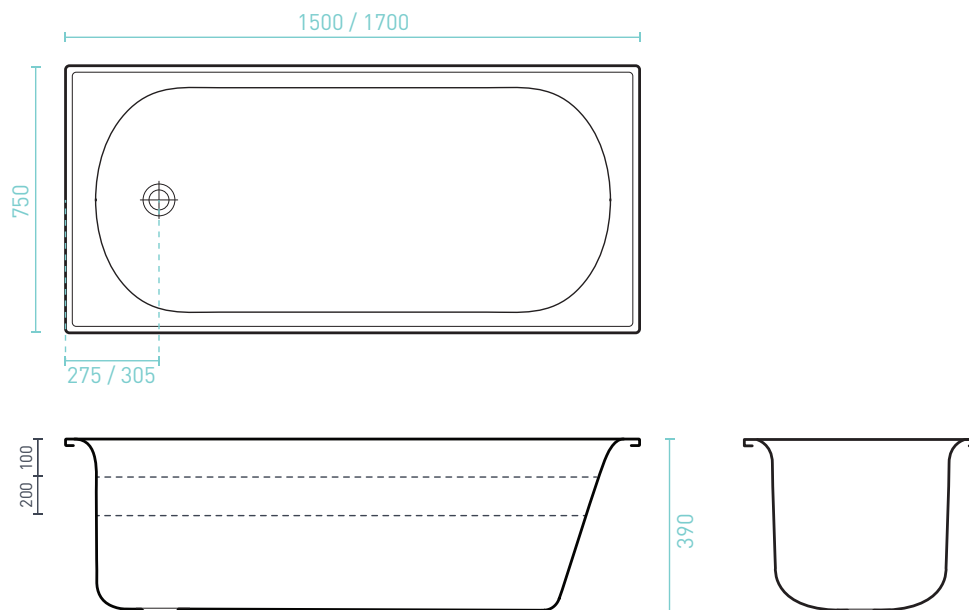


SIZE (l) x (w) x (d) mm	CAPACITY*	NET WEIGHT	CODE
1500 x 750 x 390	85L	21kg	ST1500M
1700 x 750 x 390	95L	24.2kg	ST1700M



- 5 YR WARRANTY*
- AS/NZ Standard 2023/1995
- Tile bead strip included
- Non-porous 1.5mm enamel

STELLA ACCESSORIES	BATH
Plug & Waste	Optional
Sienna Headrests Black/White	Optional



*Capacity 200mm below the bath rim