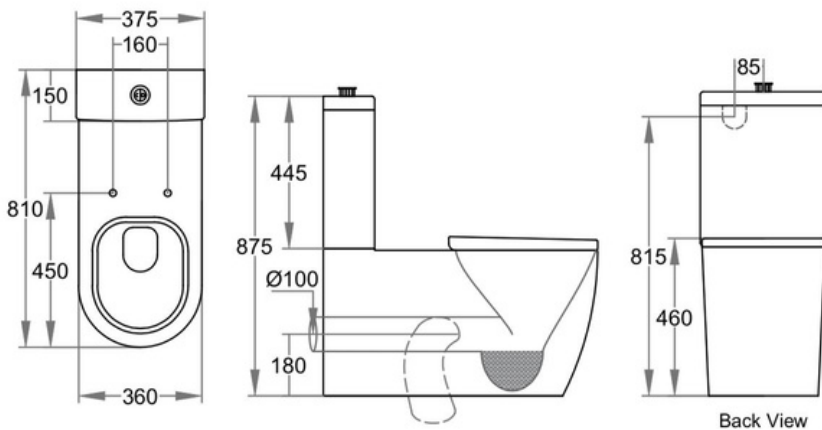




Buckingham



Category

CARE 800 Back to Wall Toilet

Code

TS054

Material

Vitreous China

Size

mm 875 x 810x 375mm

Colours

White

Rough In

S-Trap 155 - 270 mm

P-Trap 180 mm

Inclusions

Soft Close Seat

AS1428.1 Compliant



NOTE: Product dimensions are approximate and can vary slightly due to manufacturing variances. Information provided in this data sheet is representative of the product available at the time and date of printing, 11/08/2016. Builders World Pty Ltd reserves the right to vary specifications at any time without notice.

buildersworld.com.au
1300 269 753

Refer to Warranty Sheet for
Warranty Conditions and Cleaning
Recommendations.

[D]

DOMESTIC APPLICATIONS

10 year vitreous china replacement
Warranty against faults in manufacture.
1 year replacement Warranty on wearing
parts, including seat and cistern internal.

[C]

COMMERCIAL USE WARRANTY

1 year parts & replacement
(unless extended Warranty provided
in writing by Builders World).

[O]

OUTDOOR APPLICATIONS

Warranty does not cover products
used for outdoor applications.