



## Pena

### Category

Care Link Suite

### Code

TS052

### Material

Vitreous China

### Size

mm 1050 x 800 x 355mm

### Colours

White

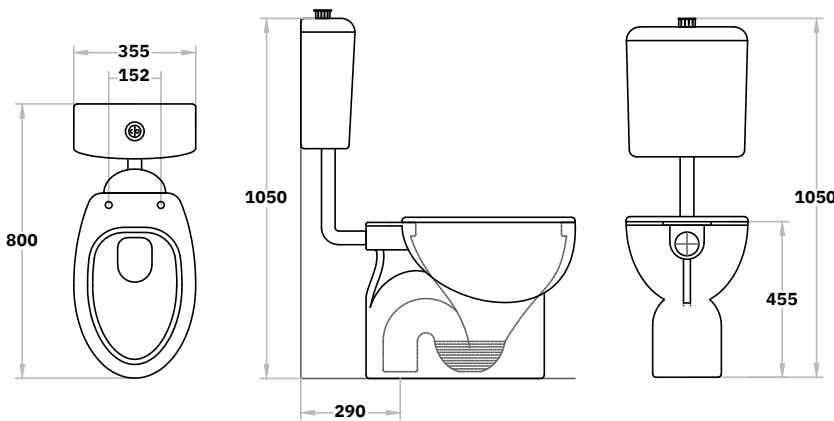
### Rough In

S-Trap 290 mm

### Inclusions

Back Rest ( Optional Extra)

AS1428.1 Compliant



NOTE: Product dimensions are approximate and can vary slightly due to manufacturing variances. Information provided in this data sheet is representative of the product available at the time and date of printing, 11/08/2016. Builders World Pty Ltd reserves the right to vary specifications at any time without notice.

buildersworld.com.au  
1300 269 753

Refer to Warranty Sheet for  
Warranty Conditions and Cleaning  
Recommendations.

# [D]

### DOMESTIC APPLICATIONS

10 year vitreous china replacement  
Warranty against faults in manufacture.  
1 year replacement Warranty on wearing  
parts, including seat and cistern internal.

# [C]

### COMMERCIAL USE WARRANTY

1 year parts & replacement  
(unless extended Warranty provided  
in writing by Builders World).

# [O]

### OUTDOOR APPLICATIONS

Warranty does not cover products  
used for outdoor applications.