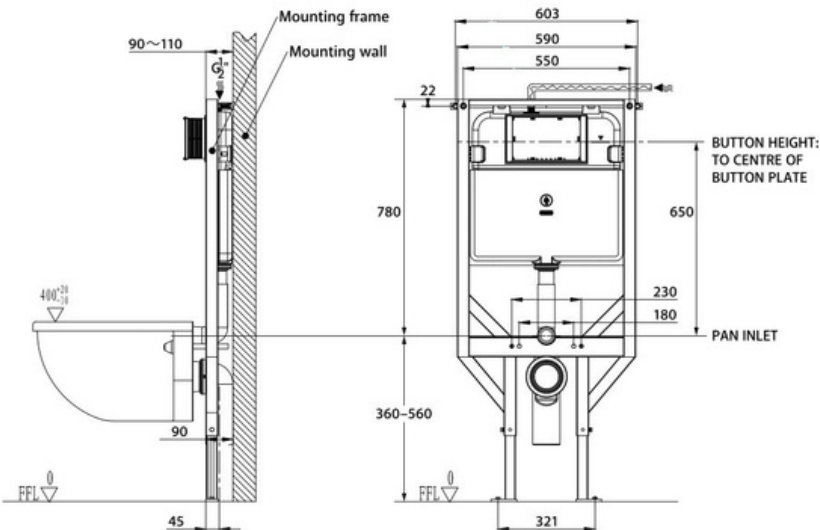




Specification Sheet



R&T

Category

Inwall Cistern
Suits Wall Hung Pan

Code

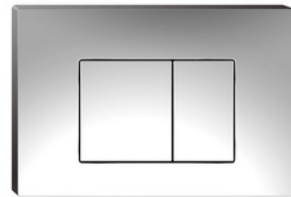
TCW001

Size

mm 590 x 110 x 1140

Inclusions

ABS Chrome Puch Plate



Wels reg l02631

NOTE: Product dimensions are approximate and can vary slightly due to manufacturing variances. Information provided in this data sheet is representative of the product available at the time and date of printing, 11/08/2016. Builders World Pty Ltd reserves the right to vary specifications at any time without notice.

buildersworld.com.au
1300 269 753

Refer to Warranty Sheet for
Warranty Conditions and Cleaning
Recommendations.

[D]

DOMESTIC APPLICATIONS
1 year replacement Warranty against
faults in manufacture.

[C]

COMMERCIAL USE WARRANTY
1 year parts & replacement
(unless extended Warranty provided
in writing by Builders World).

[O]

OUTDOOR APPLICATIONS
Warranty does not cover products
used for outdoor applications.