



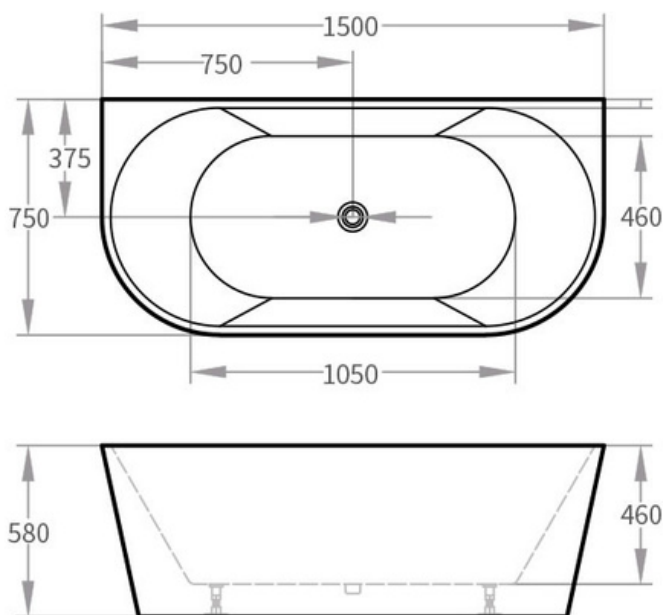
BTE-1500

Category

Cortona Bath to Wall Bath 1500

Size

1500L x 750W x 580H mm



NOTE: Product dimensions are approximate and can vary slightly due to manufacturing variances. Information provided in this data sheet is representative of the product available at the time and date of printing, 1/5/2021. Builders World Pty Ltd reserves the right to vary specifications at any time without notice.

buildersworld.com.au
1300 269 753

Refer to Warranty Sheet for
Warranty Conditions and Cleaning
Recommendations.

[D]

DOMESTIC APPLICATIONS
10 year replacement warranty on bath
shell. 1 year warranty on labour.

[C]

COMMERCIAL USE WARRANTY
1 year parts & replacement
(unless extended Warranty provided
in writing by Builders World).

[O]

OUTDOOR APPLICATIONS
Warranty does not cover products
used for outdoor applications.